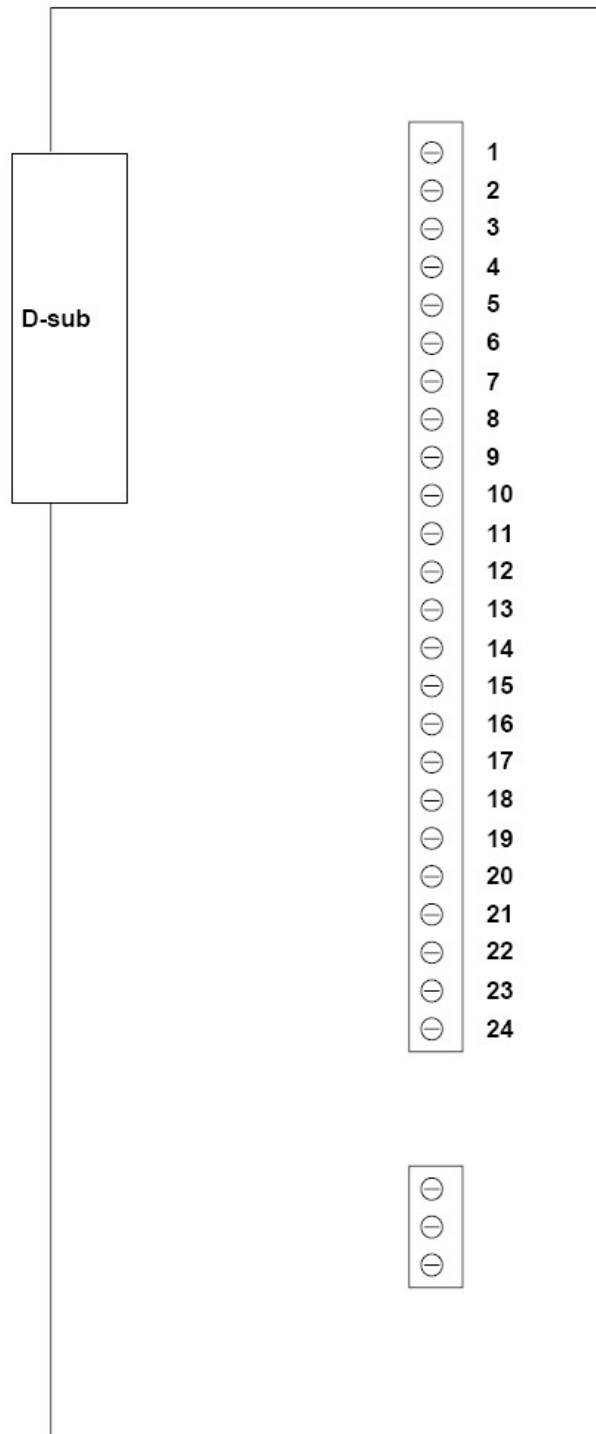


Uppgjord (även faktaansvarig om annan) - Prepared (also subject responsible if other)		Nr - No.		
Sara Hedfors		POL-08:107		
Dokansv/Godk - Doc respons/Approved	Kontr - Checked	Datum - Date	Rev	File
		2008-07-03	A	

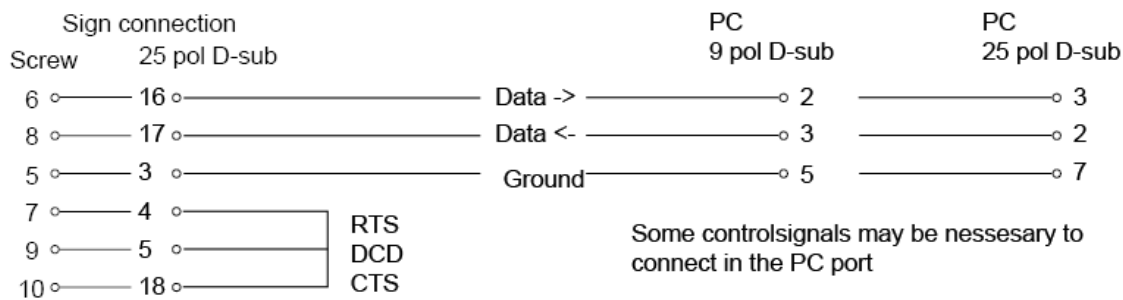


Screw terminal board

## Connection to PORT 1.

Simple protocol, standard baudrate 600 baud 8N1 RS 232

W10 selects baudrate



## Connection to PORT 2.

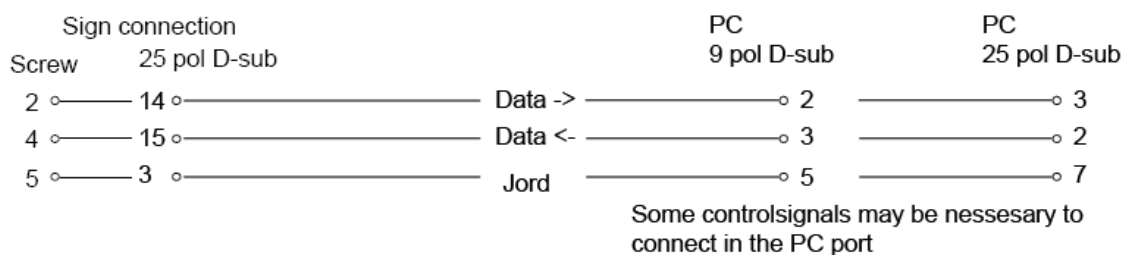
POLNET protocol, standard baudrate 4800 baud 8N1, POLNET or RS 232.

W11 selects baudrate

Port 2 is configured with jumpers on the CPU to select POLNET or RS232.

Network:	RS232:	Address selection
(POLNET)		
W14 1-2	W14 open	W8:1 A0 closed = 0
W16 2-3	W16 1-2	W8:2 A1 open = 1
W17 open	W17 1-2	W8:2 A2
W18 2-3	W18 1-2	W8:3 A3
		W8:4 A4
W19 open	if W19 is shorted all characters is echoed back	W8:5 A5
		W8:6 A6
		W8:7 Not for address

### RS 232 connection on port 2



### POLNET connection on port 2, (POLNET / RS 232 converter located at the PC.)

