

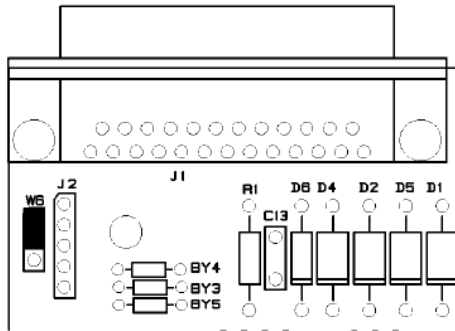
Uppgjord (även faktaansvarig om annan) - Prepared (also subject responsible if other)		Nr - No.		
Sara Hedfors		POL-07:123		
Dokansv/Godk - Doc respons/Approved	Kontr - Checked	Datum - Date	Rev	File
Thomas Hedfors	TH	2007-11-11	A	



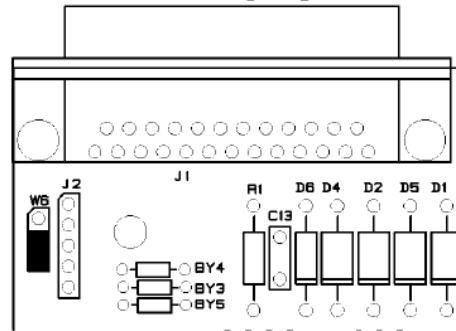
Teknisk specifikation:

Artikel:	POLNET / RS232 DCE (finns också som DTE)
Storlek:	150 x 175 x 45 mm
Vikt:	0,67 kg
Kommunikation:	Current loop, multi drop (polaritets oberoende inkoppling) Ingen begränsning i layout
Antal skyltar:	max 62 skyltar
Avstånd:	max 2 km kabellängd
Kabel:	2 ledare tvinnad, min 0,6 mm ²
Data format:	4800 Baud, halv duplex
Interface:	Optiskt isolerad
Konfiguration:	hög / låg ström, echo cancel / echo restore, aktiv / passiv
Matning:	115 / 230 Volt ± 15%, 50 Hz, 10 VA
MTBF:	60000 timmar

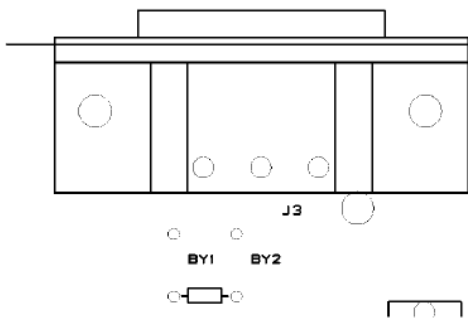
W6 PE connected to logic ground



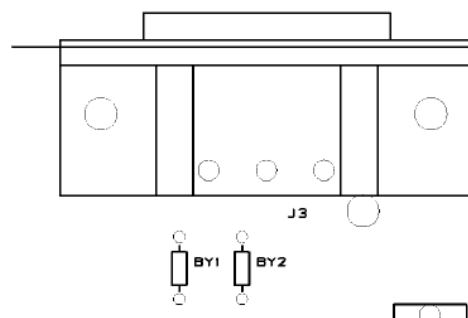
W6 PE isolated from logic ground

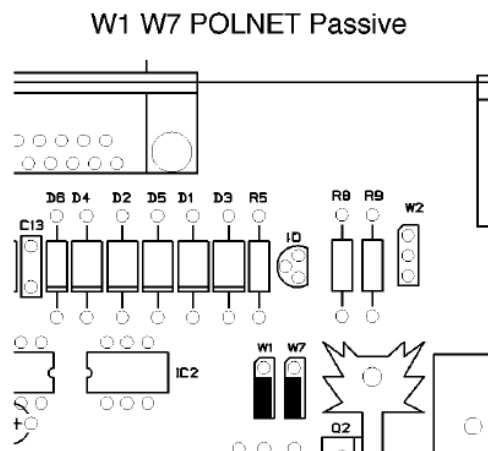
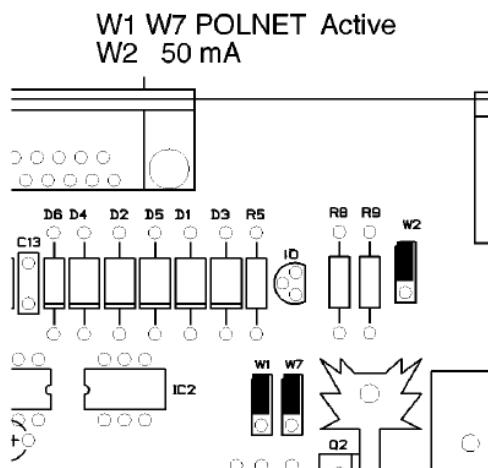
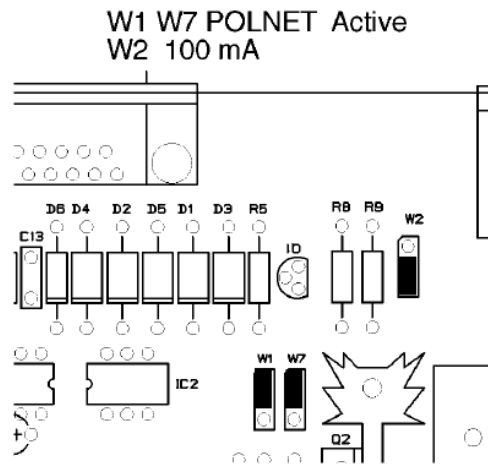


230 VAC input

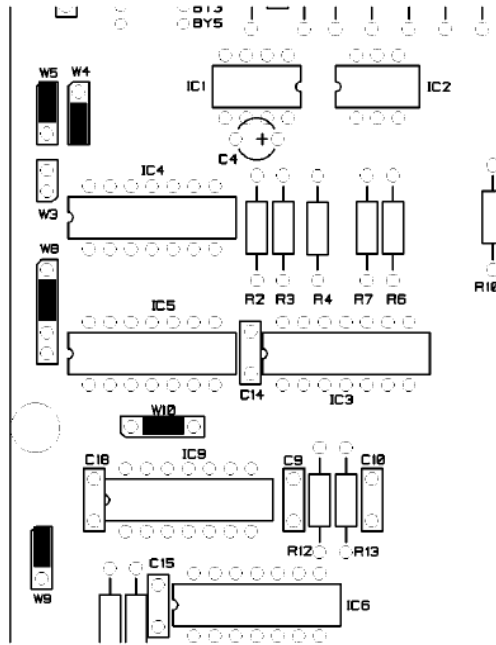


117 VAC input

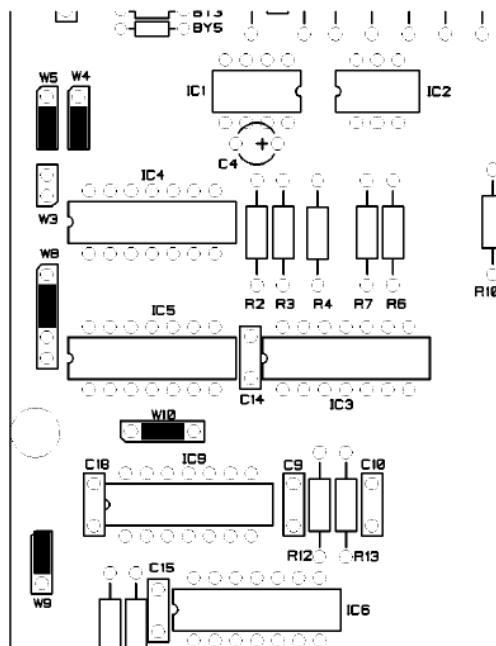




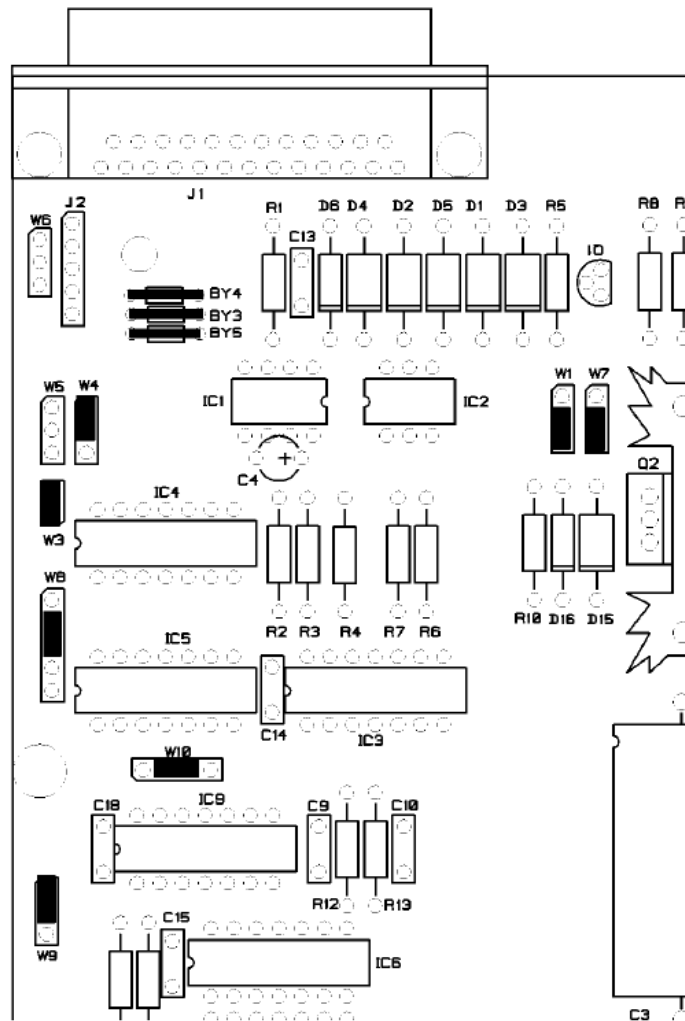
RS 232 - POLNET
Normal Echo



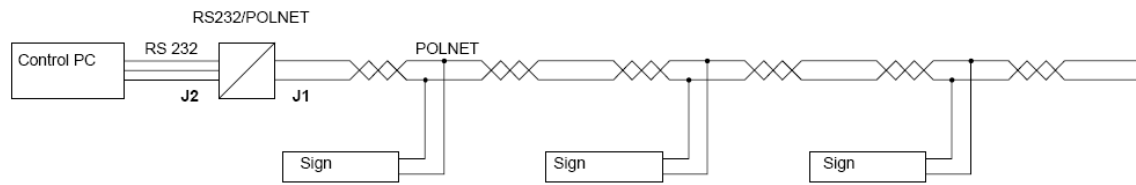
RS 232 - POLNET
Echo Cancel



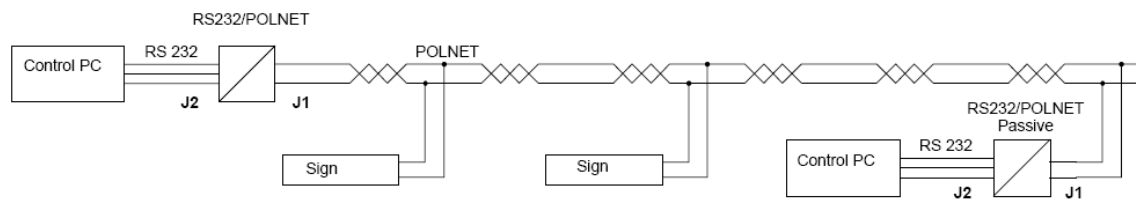
RS232 / Radio modem
 Echo restore



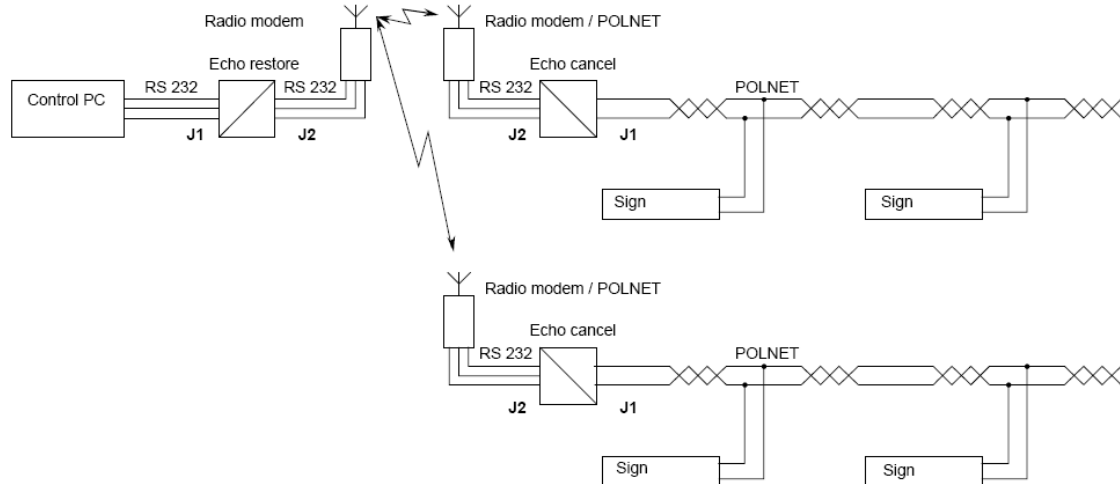
POLNET One master, max 62 signs, up to 2500 meter network.



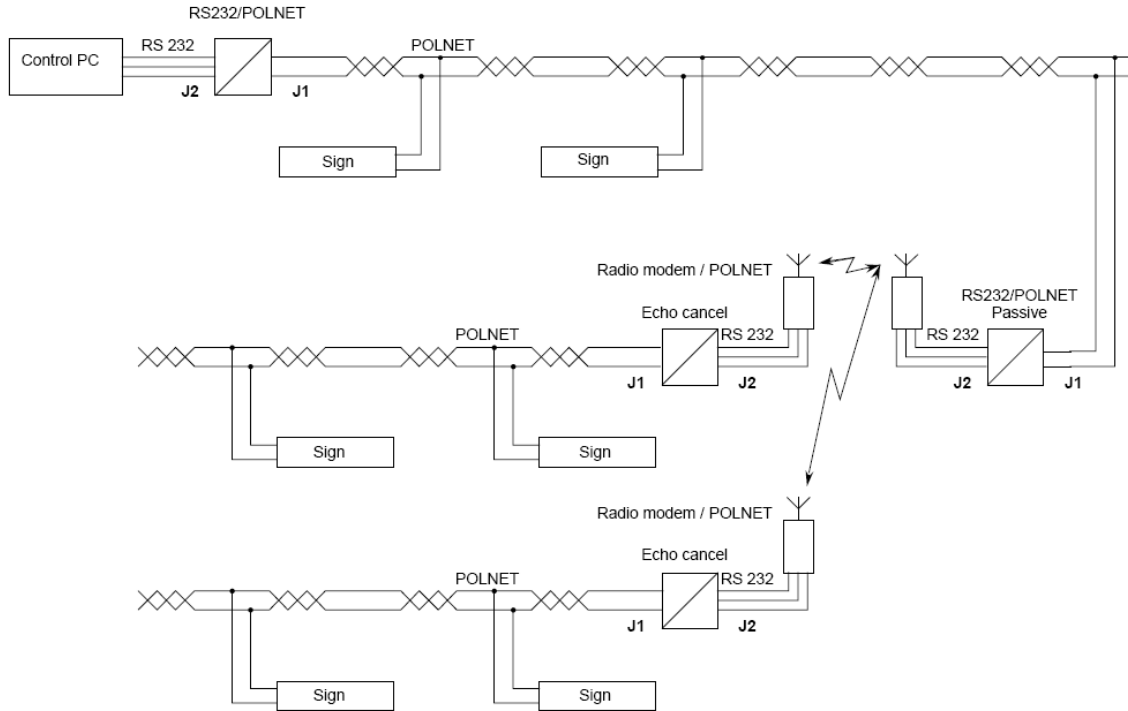
POLNET Two masters, max 62 signs, up to 2500 meter network.



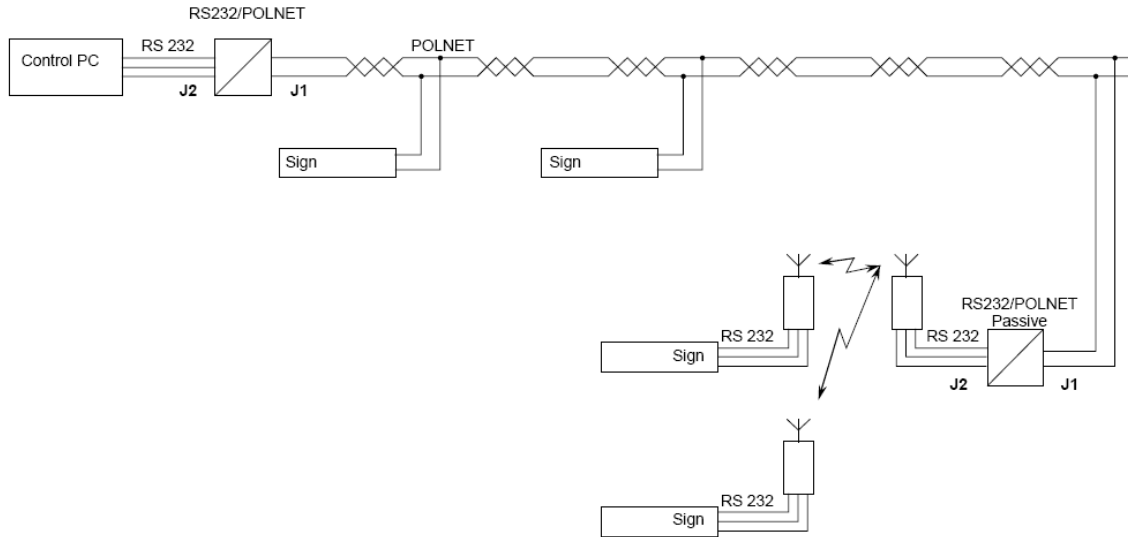
Radio modem, one or more POLNET, max 62 signs, up to 2500 meter network.



POLNET, one or more radio modem, max 62 signs, up to 2500 meter network.

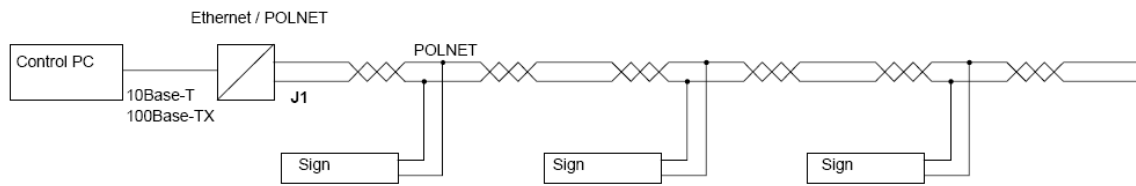


POLNET, one or more radio modem direct connected to signs, max 62 signs, up to 2500 meter network.

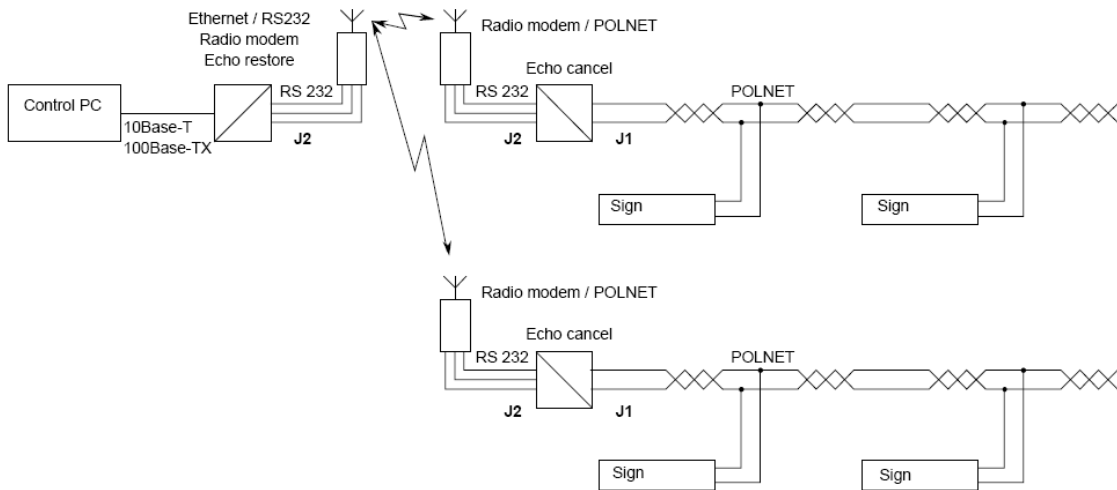


Communication: 4800 Baud 8 N1
 Recommended cable, shielded twisted pair min 2 x 0.6 mm²

POLNET One master, max 62 signs, up to 2500 meter network.



Radio modem, one or more POLNET, max 62 signs, up to 2500 meter network.



J1 POLNET
D-25 socket

1	PE Shield
2	Line
15	Line

J1 RS232
D-25 socket

1	PE Shield	
2	Data in	input
3	Data out	output
7	GND	

J2 RS232
D-25 socket

1	PE Shield	
2	Data in	input
3	Data out	output
6	DSR	output
7	GND	