

Uppgjord (även faktaansvarig om annan) - Prepared (also subject responsible if other)		Nr - No.		
Sara Hedfors		POL-07:123		
Dokansv/Godk - Doc respons/Approved	Kontr - Checked	Datum - Date	Rev	File
Thomas Hedfors	TH	2007-11-11	A	



Technical specification:

Article: POLNET / RS232 DCE (also available as DTE)

Dimensions: 150 x 175 x 45 mm

Weight: 0.67 kg

Communication: Current loop, multi drop (no polarity dependency)
 No limitation in layout

No of signs: max 62 signs

Distance: max 2 km network segment

Cabling: 2 wire twisted pair, min 0.6 mm²

Data format: 4800 Baud, half duplex

Interface: Optically isolated

Configuration: Hi / Low current, Echo Cancel / Restore, Active / Passive

Power req: 115 / 230 Volt ± 15%, 50 Hz, 10 VA

MTBF: 60000 h

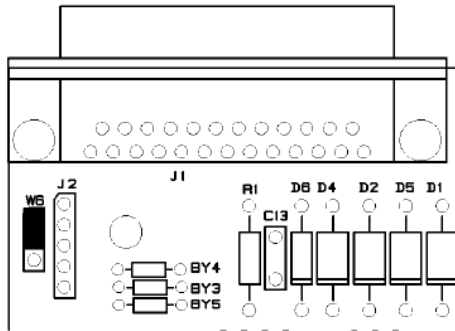
Huvudkontor
 Kvartersgatan 1 B
 SE-749 40 ENKÖPING
 Telefon +46 (0)171-41 45 90
 Fax +46 (0)171-41 45 95

Produktion
 Skäggebyvägen 33
 SE-612 44 FINSPÅNG

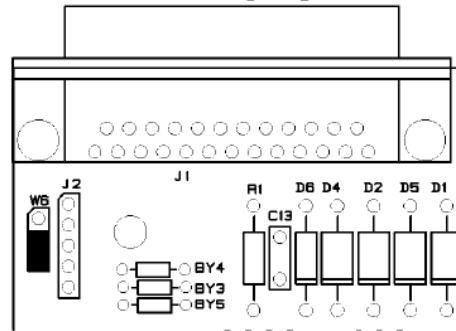
Postgiro
 48 54 14-7
 Bankgiro
 5086-1483

Org.nr.
 556536-8817
 Hemsida
 www.poltech.se

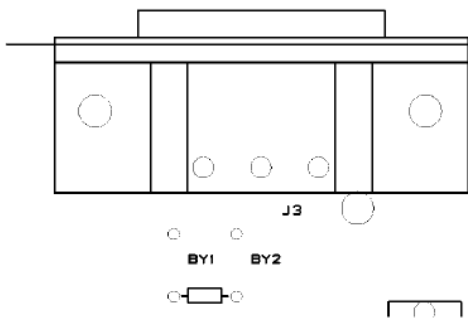
W6 PE connected to logic ground



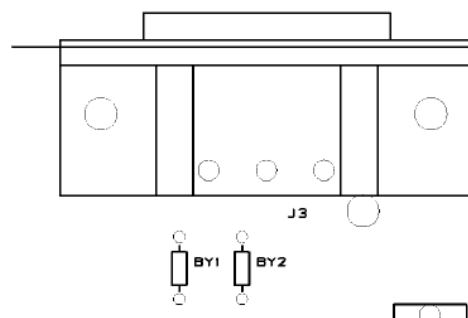
W6 PE isolated from logic ground

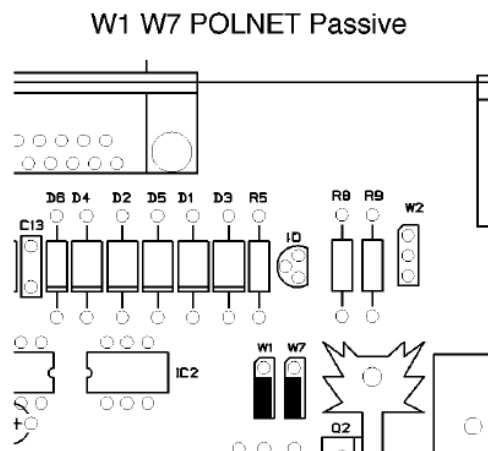
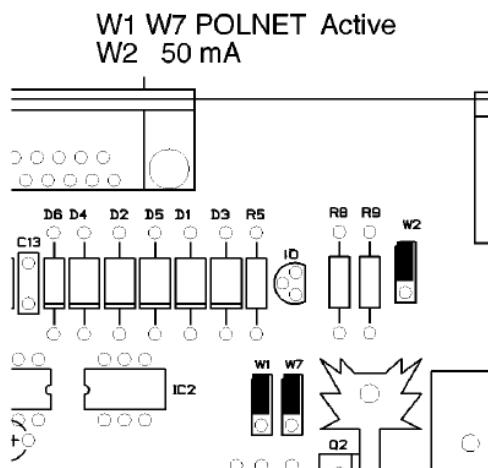
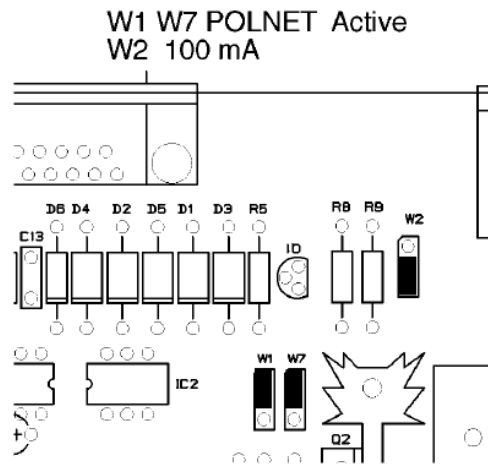


230 VAC input

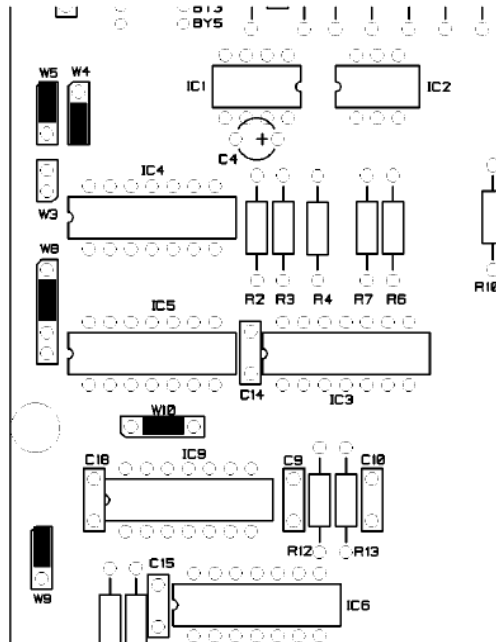


117 VAC input

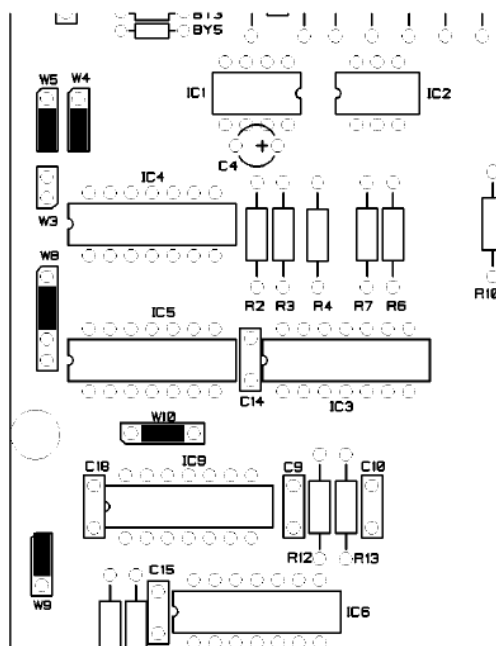




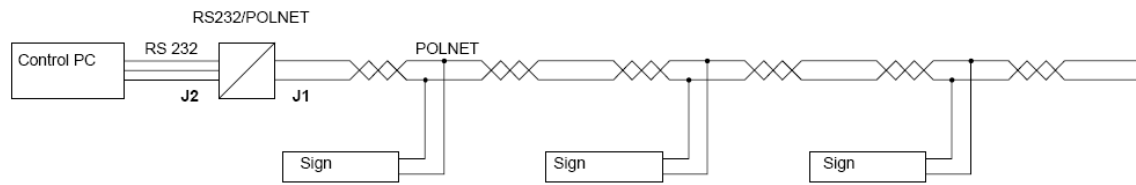
RS 232 - POLNET
Normal Echo



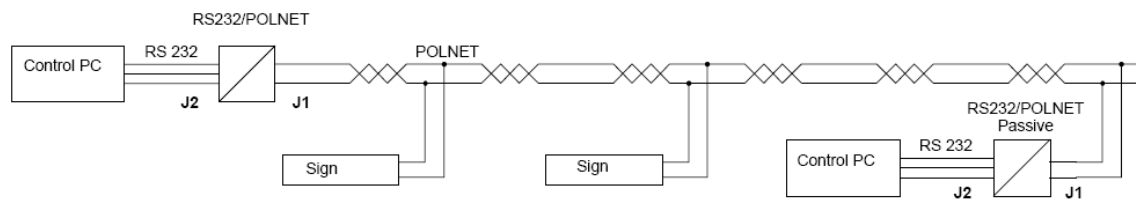
RS 232 - POLNET
Echo Cancel



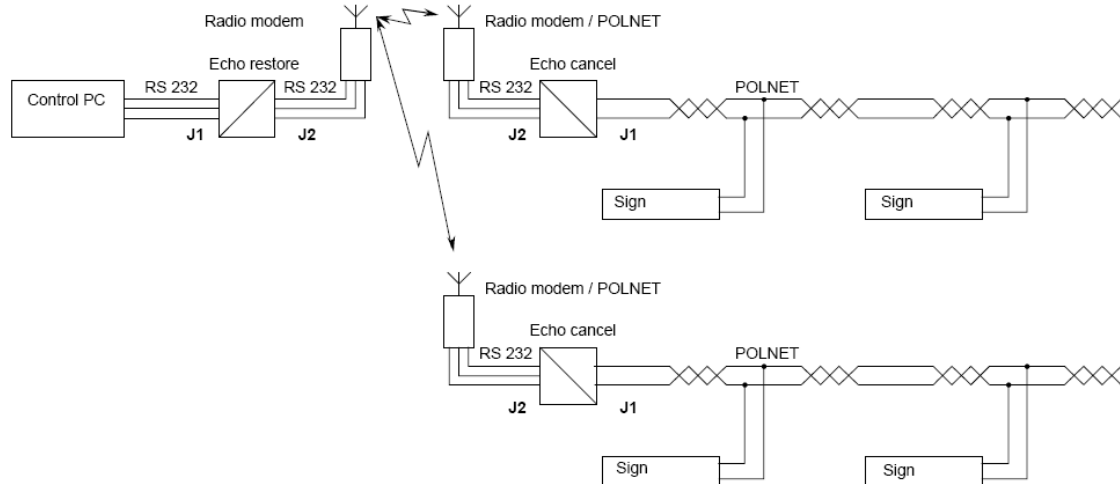
POLNET One master, max 62 signs, up to 2500 meter network.



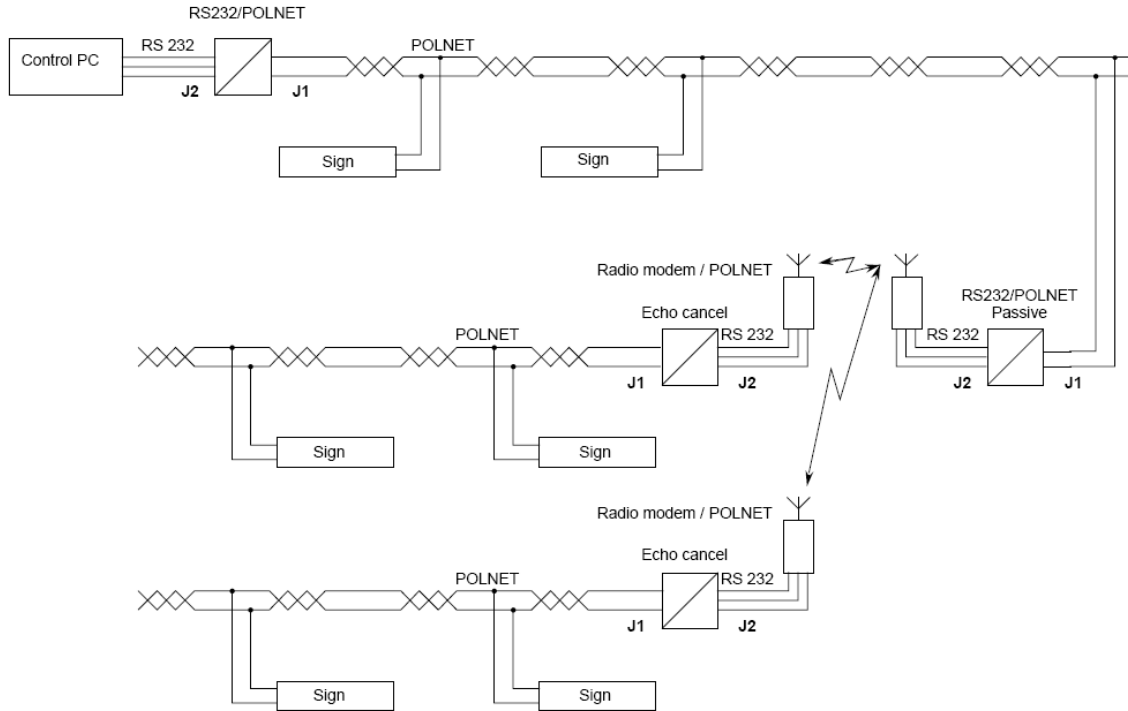
POLNET Two masters, max 62 signs, up to 2500 meter network.



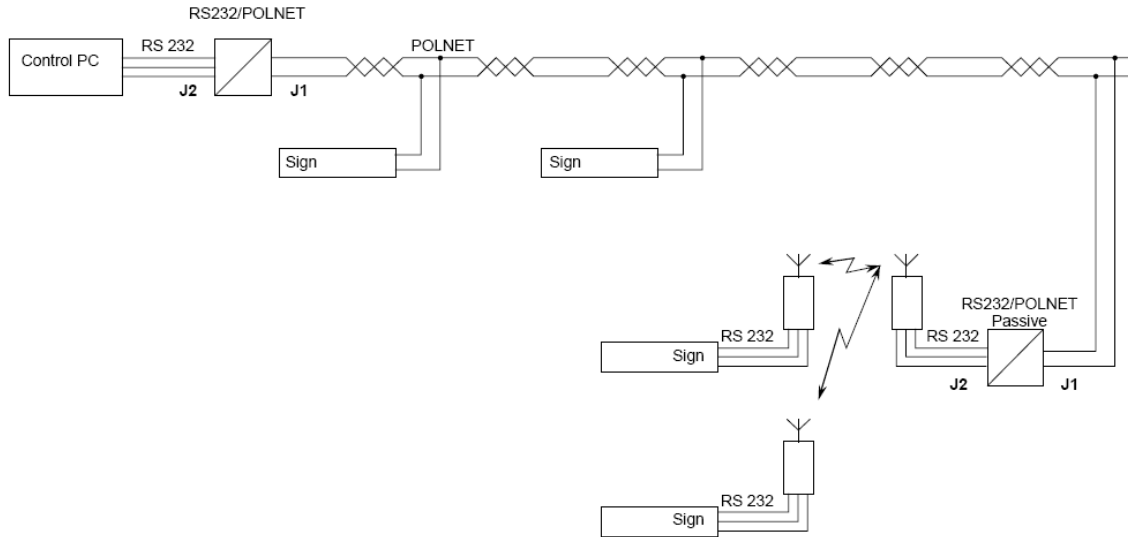
Radio modem, one or more POLNET, max 62 signs, up to 2500 meter network.



POLNET, one or more radio modem, max 62 signs, up to 2500 meter network.

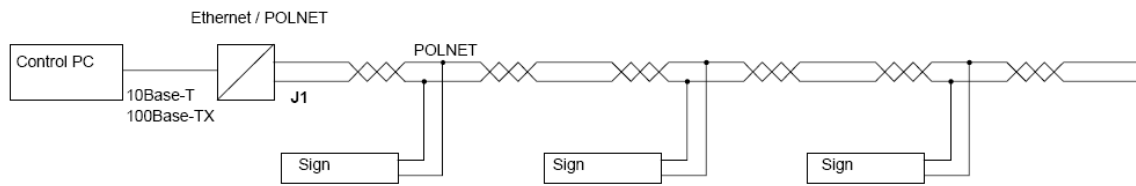


POLNET, one or more radio modem direct connected to signs, max 62 signs, up to 2500 meter network.

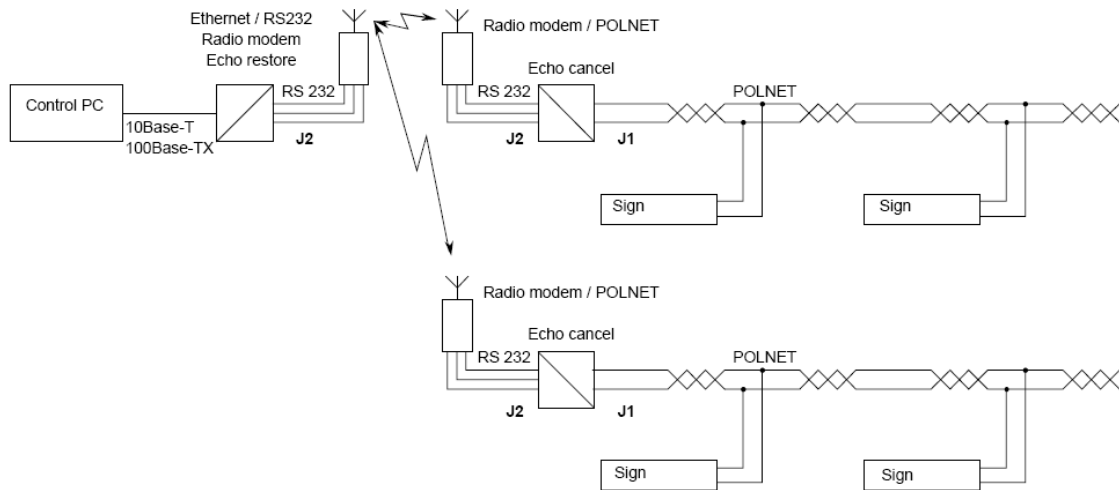


Communication: 4800 Baud 8 N1
 Recommended cable, shielded twisted pair min 2 x 0.6 mm²

POLNET One master, max 62 signs, up to 2500 meter network.



Radio modem, one or more POLNET, max 62 signs, up to 2500 meter network.



J1 POLNET
D-25 socket

1	PE Shield
2	Line
15	Line

J1 RS232
D-25 socket

1	PE Shield	
2	Data in	input
3	Data out	output
7	GND	

J2 RS232
D-25 socket

1	PE Shield	
2	Data in	input
3	Data out	output
6	DSR	output
7	GND	