

Uppgjord (även faktaansvarig om annan) - Prepared (also subject responsible if other)		Nr - No.		
Sara Hedfors		POL-09:050		
Dokansv/Godk - Doc respons/Approved	Kontr - Checked	Datum - Date	Rev	File
Thomas Hedfors	TH	2009-07-29	A	



ARTICLE	Short range, Licence free, POLTECH 869 MHz Radiomodem Type RC1180-232	
APPROVALS	Complies with EN 300 220-1, EN 301 489-1 and EN 60950-1.	
TRANSCEIVER	Frequency Range	868 ... 870 MHz
	Channel Spacing	100 kHz
	Number of Channels	16
	Frequency Stability	± 2.5 kHz
	Type of Emission	F1D
	Communication Mode	Half-Duplex
TRANSMITTER	Carrier Power, 5 steps	0,01 mW, 0,1 mW, 1,0 mW, 3,2 mW, 8 mW / 50 ohm
	Carrier Power Stability	+ 1 dB / - 1 dB
	Adjacent Channel Power	< -36 dBm
	Spurious Radiation	< -54 dBm
RECEIVER	Sensitivity	< -110 to -101 dBm (BER < 10 E-3) (Depending of data rate)
	Co-channel rejection	> - 29 dB
	Adjacent channel selectivity	> 53 dB
DATA MODEM	Interface	RS-232
	Interface Connector	9 pin Dsub (female)
	Data speed of RS interface	2400 - 230400 bps
	Data speed of radio interface	1200 - 100000 bps
	Max block size w.o. flowcont.	128 byte
	Data format	Asynchronous 8N1
GENERAL	Operating voltage	+ 5..to..+ 24 Vdc (pin 9)
	Power consumption	< 40 mA
	Temperature range	- Operating: -40 °C...+55 °C - Storage: -45 °C ... +85 °C
	Antenna Connector	SMA, 50 ohm, female
	Construction	GP ABS enclosure
	Protection	IP30
	Size H x W x D	67 x 45 x 20 mm
	Weight	35 g

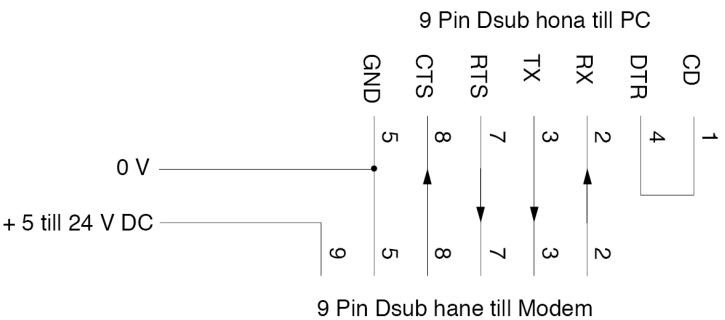
Main office
Kvartsgatan 1 B
SE-749 40 ENKÖPING
Phone +46 (0)171-41 45 90
Fax +46 (0)171-41 45 95

Production
Skäggebyvägen 33
SE-612 44 FINSPÅNG

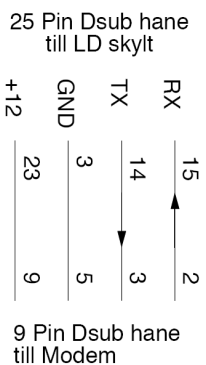
Postgiro
48 54 14-7
Bankgiro
5086-1483

Org.no.
556536-8817
Webpage
www.poltech.se

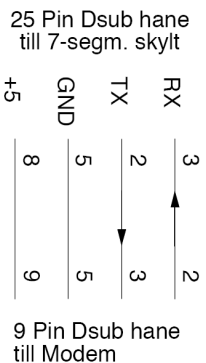
**Anslutnings kabel
PC -> Modem**



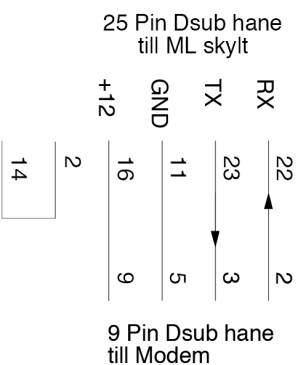
**Anslutnings kabel
LD Skylit -> Modem**



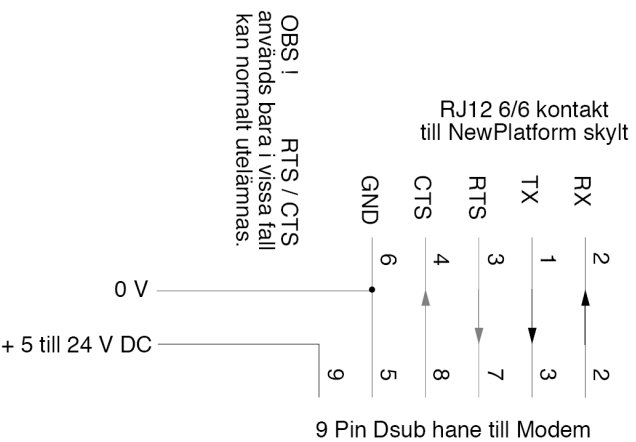
**Anslutnings kabel
7-segment Skylit -> Modem**



**Anslutnings kabel
ML Skylit -> Modem**



**Anslutnings kabel
ARM7 080717 Skylit -> Modem**



OBS! RTS / CTS används bara i vissa fall kan normalt utelämnas.